



 **Bluetooth™**

L65 MK2

L65S MK2....



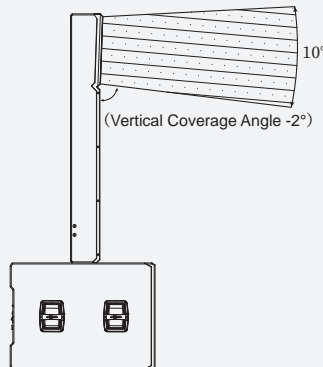
L65 MK2+L65S MK2 Column System

L65 MK2+L65S MK2 system is a compact multi-purpose active DSP column system consisting of a passive full-range column speaker L65 MK2 and an active DSP controlled compact single 18" subwoofer L65S MK2.

L65 MK2 passive full-range column speaker is built with 6pcs 5" customized drivers and 4pcs 1" customized drivers. The drivers are designed with sophisticated measurement and arranged elaborately by physical calibration technology Physical™ to improve vertical acoustic beam coverage. The ETE™ waveguide system developed by Audiocenter forms cylindrical wave, then couples continually, working together with customized horn design to realize the perfect joint of frequency response, which provides the accurate horizontal coverage and ensures the well-balanced, clean and clear sound. L65 MK2 can meet the reinforcement application in different venues and complex space.

L65S MK2 is an active DSP controlled compact subwoofer with one 18" customized Audiocenter ferrite driver and very powerful Class D amplifier module. L65S MK2 is with built-in Bluetooth that supports multiple signal inputs.

L65 MK2+L65S MK2 is a plug and play column system with easy set up. The presets are made with a lot of testing. The system can be put in various applications.

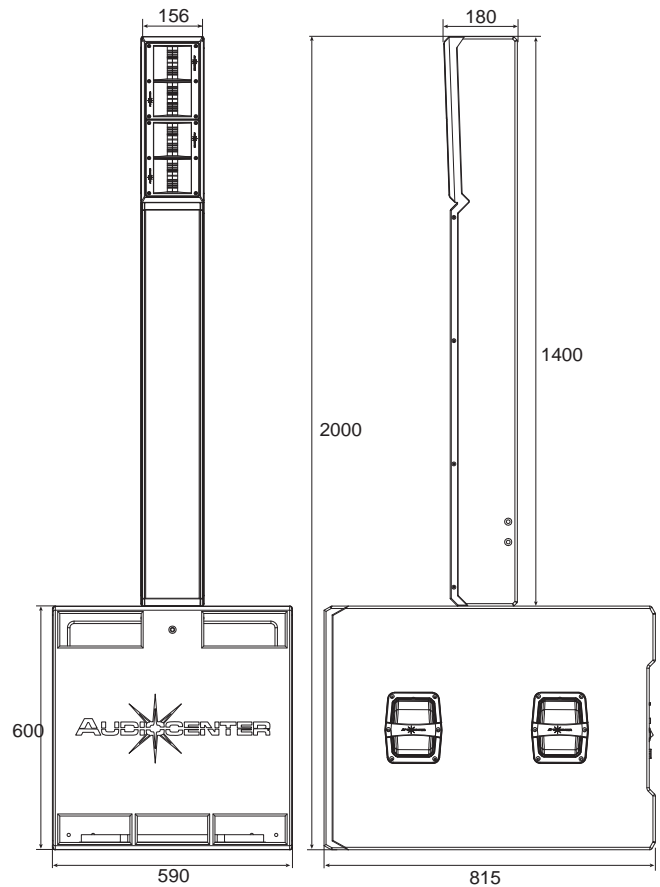


SUGGESTED APPLICATION

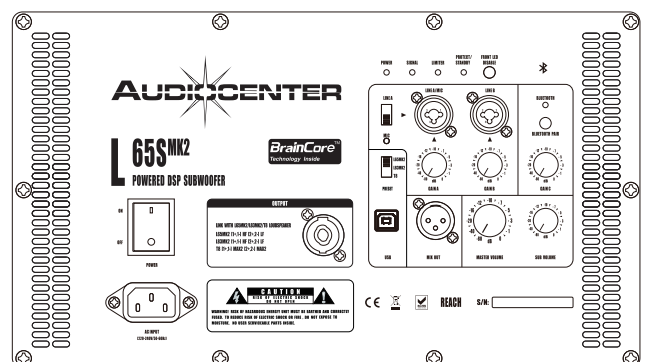
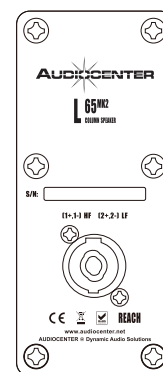
- 
Ball room
- 
House of worship
- 
Museum
- 
Lecture
- 
DJ
- 
Live show
- 
Wedding
- 
Stage Monitor

SPECIFICATION

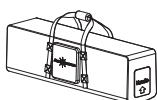
Type	Active DSP-controlled Column Speaker System
Frequency Response(-10dB)	35Hz-20kHz
Horizontal Coverage	110°
Vertical Coverage	10°
Maximum Calculated SPL/1M(Continuous/Peak):	131dB/137dB
HF	Customized driver, 4pcs 1" drivers
LF	Customized driver, 6pcs 5" drivers
Subwoofer	Customized driver, 1pc 18" driver
DSP	
Processor	96kHz signal sampling frequency
Presets	L65 MK2, L83 MK2, T8
Class D amplifier	
Power(RMS standards)	2000W
Peak Power	4000W
Frequency Response	20Hz-20kHz(±0.5dB)
Intermodulation Distortion	<0.05%
Total Harmonic Distortion	<0.05%
Cooling System	Cooling with fans, air convection
Protection	DC protection, short circuit protection, overheat protection, input overload protection, output overload protection, soft startup protection, overvoltage protection, undervoltage protection
Signal Input	Combo (female XLR & Mono jack 6.35), Stereo Bluetooth
Signal Output	Male XLR
Amplifier Output Link L65 MK2	Speakon 4pin
Column Input Link L65S MK2	Speakon 4pin
Power Input	IEC power connector
AC Power Operating Range	100V-130V~ or 220V-240V~ (±10%,50/60Hz)
Power consumption (1/8 output power)	281W
CABINET	
Cabinet Material	CNC made of excellent wood
Cabinet Color	Black is the default color. Contact Audiocenter for customization
Grille	Iron mesh
Handles	L65 MK2 2 side,L65S MK2 4 side
L65S MK2 Pole Mount	M20 base Φ35mm
Speaker Dimension(WxHxD)	
L65 MK2	156x1400x180mm
L65S MK2	590x600x815mm
Carton Dimensions (WxHxD)	
L65 MK2	1502x252x240mm
L65S MK2	676x700x900mm
Net Weight	
L65 MK2	21.0kg
L65S MK2	54.0kg
Shipping Weight	
L65 MK2	25.0kg
L65S MK2	58.0kg



BACK PANEL



ACCESSORIES



Hand bag
For 1 pc L65 MK2



L65S MK2 Protection bag
(with wheel)